

HEX NUT

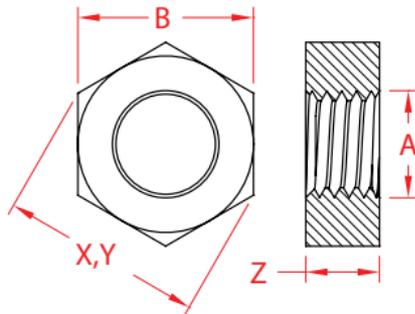
316 STAINLESS STEEL



Import



Precision
Machined



ITEM	A (size)	B (wrench)	THREAD	X (height)	Y (length)	Z (width)	WT (lb)	PACKAGING TYPE	EACH (qty)	INNER (qty)	CARTON (qty)	UPC
LEFT HAND, STANDARD UNF												
S0304-0005	3/16"	0.38" 3/8"	10-32	0.42"	0.42"	0.12"	0.25/100	POLYBAG	1	100	6000	791506038573
S0304-0007	1/4"	0.43" 7/16"	1/4"-28	0.49"	0.49"	0.22"	0.42/100	POLYBAG	1	100	4000	791506038580
S0304-0008	5/16"	0.50" 1/2"	5/16"-24	0.57"	0.57"	0.24"	0.82/100	POLYBAG	1	100	3500	791506038597
S0304-0010	3/8"	0.54" 9/16"	3/8"-24	0.63"	0.63"	0.33"	1.5/100	POLYBAG	1	100	3000	791506038603
S0304-0013	1/2"	0.75" 3/4"	1/2"-20	0.84"	0.84"	0.44"	3.5/100	POLYBAG	1	1	50	791506038610
S0304-0016	5/8"	0.94" 15/16"	5/8"-18	1.06"	1.06"	0.55"	7.0/100	POLYBAG	1	1	50	791506038627
S0304-0020	3/4"	1.09" 1-1/8"	3/4"-16	1.25"	1.25"	0.63"	11.0/100	POLYBAG	1	20	400	791506038634
S0304-0022	7/8"	1.09" 1-1/8"	7/8"-14	1.25"	1.25"	0.63"	10.0/100	POLYBAG	1	5	225	791506014515

NOTE:

ALL DIMENSIONS ARE NOMINAL (+/- 3%) AND ARE SUBJECT TO CHANGE WITHOUT NOTICE.